

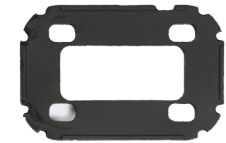
THE UNIQUE CONSTRUCTION



The **protection case** made of resilient NBR offers a superior protection degree for high impact applications. Due to its unique design, it is protected against demolition debris and harsh environmental conditions. Through the sliding door element, the hour meter remains protected as well as at any time the operator can check the operating times safely.



The Hour meter is settled safely in a **fiber glass** reinforced protection case, which is mounted with 4x Torx screws to the baseplate.



A rubber **inlay gasket** between protection case and hour meter buffers the transfer of any impacts to the meter.

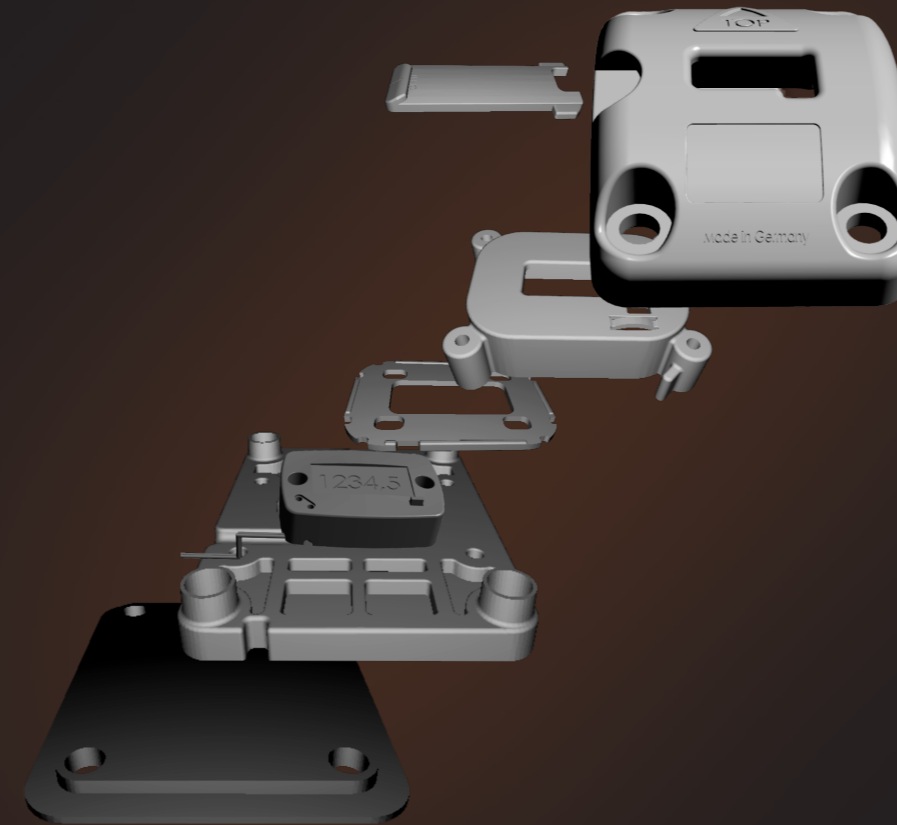


The **baseplate** holds the protection case and has an integrated cable opening for the optional rotation hour meter.



The **bottom rubber base** with its integrated pressure limiting design completely encloses the baseplate. The Topcase Pro base consists of a massive rubber plate, also made of the highly durable NBR material. The base plate also serves as a drill-template to mount the Topcase Pro to the Equipment.

ENCAPSULATED DESIGN



IMD EUROPE GMBH

Auf dem Molzberg 2
57548 Kirchen
GERMANY

T.: +49 27 41 / 1 84 20 21
F.: +49 27 41 / 1 84 48 62

info@imd-europe.com
www.imd-europe.com



MONITORING HEAVY DUTY ATTACHEMENTS

TOPCASE PRO

High Impact Protection Case for GDI Hour Meters



PROTECTS THE HOUR METERS
LIKE A SHELL.



NEW

WORLD PREMIERE

TOPCASE for GDI Hour Meters.

Collect data, where never before.

High protection against unlawful use and manipulation.

TOPCASE PRO

High Impact Protection Case for GDI Hour Meters

The professional hour meter of the market leader GDI:

The hour meters with service alerts made by GDI are designed to withstand military specifications for environmental conditions. They work where sand, dust, and water combined with arctic and tropical temperatures are home. What benefit is it to have such a resilient product where stones, rebar and rocks are flying around out of control?

The TOPCASE PRO offers the cost efficient solution to this market:

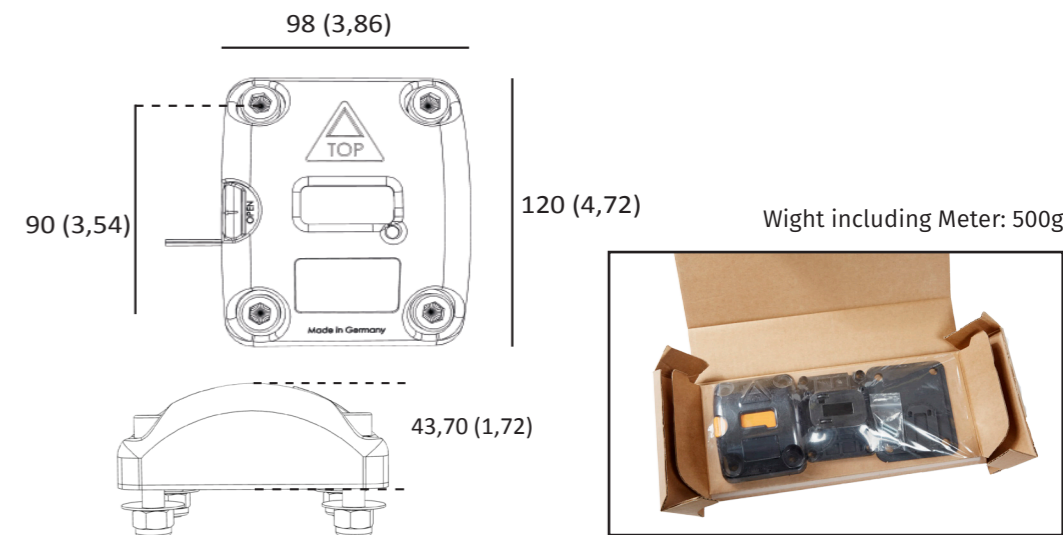
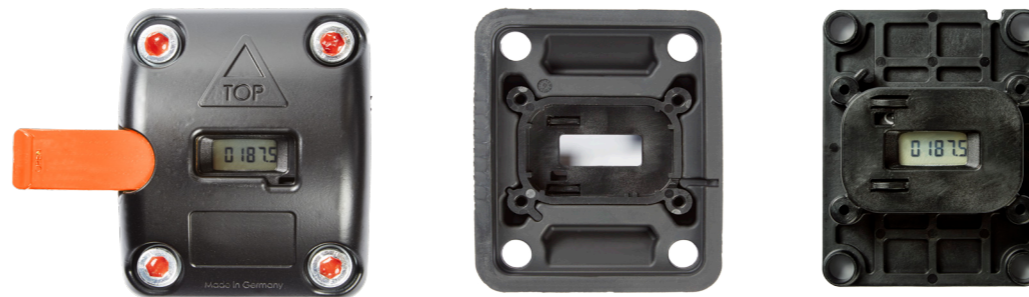
It protects the meter like a shell. For the first time, hour and service data can be monitored in a cost effective way on hydraulic attachments and on un-motorized equipment such as trailers. This increases the life, reliability and safety of all products.

NEW: Collect data where never before.

The TOPCASE PRO is designed to be used in combination with vibration- and rotation-meters from GDI. Customer specific designs, resettable shift and event counters, warranty timer, transport filter and much more is possible!

High protection against unlawful use and manipulation.

Complete protection against unlawful use and manipulation, extremely important to rental yards and leasing companies.



Now for the first time it is possible to register operation hours and maintain service intervals for attachments such as: Hydraulic hammers, drills, plows, demolition shears, tillers and many more. This will reduce cost!

+++ CONSTRUCTION +++

+++ DEMOLITION +++

+++ AGRICULTURE +++

